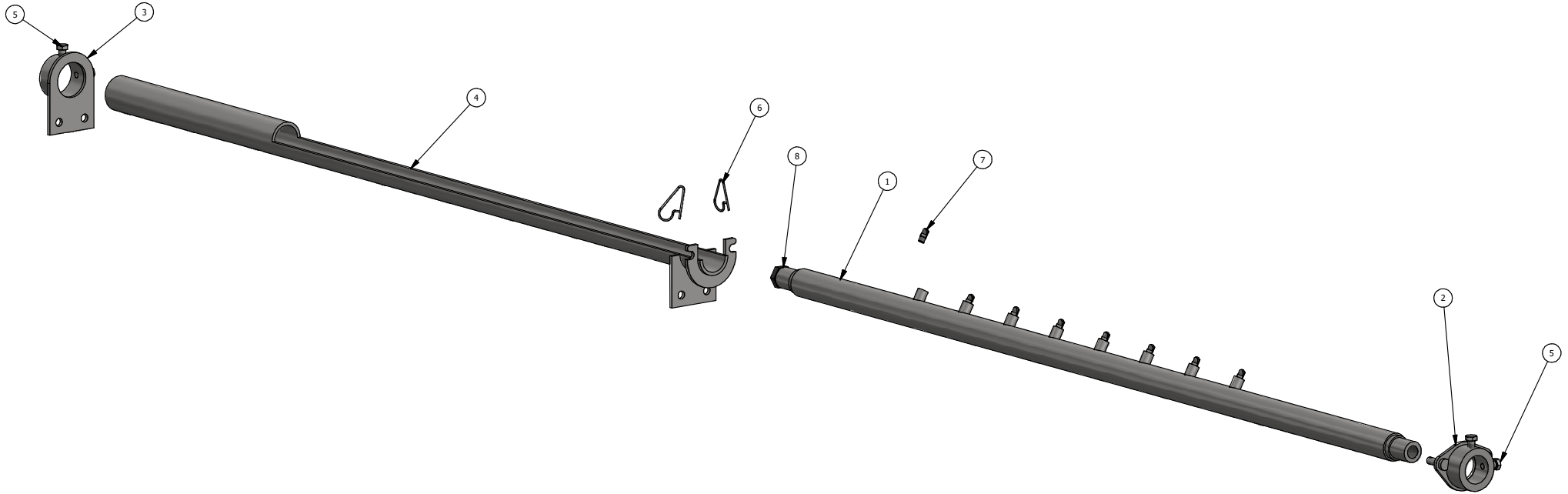



PARTS LIST		
ITEM	PART NUMBER	DESCRIPTION
1	RSP-002	RETRACTABLE SPRAY BAR
2	RSP-011	POSITIONING COLLAR
3	RSP-012	FAR SIDE MOUNTING COLLAR
4	RSP-013	STATIONARY SHAFT
5		M12 X 25 BOLT 304SS
6		SS R CLIP
7		HIGH IMPACT NOZZLE
8		1" HEX PLUG



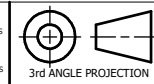
TITLE				DESIGN		DYNA Engineering	
FastFit RETRACTABLE SPRAY BAR				DYNA		 P.O. BOX 84 BAYSWATER W.A. 6933 TEL: (08) 9473 4300 FAX: (08) 9473 4399	
EXPLODED VIEW				DRN. SJ			
SPARE PART DRAWING				DATE 17/05/2016			
P/N 05-13-0350 TO 05-13-3500				CHKD. GG			
				DATE			
				APPD.		DATE	
				SCALE		DWG No.	
				1:7		EX-0110	
				REV. A		A3	

REV	DESCRIPTION	DRN	CHKD	DATE
A	FIRST ISSUE	SJ	GG	09/02/2017

REVISION HISTORY

THIS DRAWING AND ALL OF THE INFORMATION IN IT IS THE PROPERTY OF DYNA ENGINEERING. IT IS CONFIDENTIAL AND IS GIVEN TO YOU FOR A LIMITED PURPOSE AND MUST BE RETURNED ON REQUEST. NEITHER THIS DRAWING NOR ANY INFORMATION CONCERNING IT MAY BE COPIED, ENRICTED OR FURNISHED TO OTHERS. NOR MAY PHOTOGRAPHS BE TAKEN OF ANY ARTICLE FABRICATED OR ASSEMBLED FROM THIS DRAWING WITHOUT THE CONSENT OF DYNA ENGINEERING.

ALL DIMENSIONS ARE IN MILLIMETERS



SCALE 1:7

DWG No. EX-0110

REV. A A3